

Price lists 2025

Flake ice and slurry ice machines



BUUS Køleteknik A/S

Elsøvej 219, Frøslev
7900 Nykøbing Mors, Denmark

Tel.: +45 97 74 40 33

Fax: +45 97 74 40 37

E-mail: buus@buus.dk

Web: www.buus.dk

BUUS Køleteknik A/S and BUUS Ice A/S



BUUS group consists of two companies: Buus Køleteknik A/S and Buus Ice A/S.

BUUS was established back in 1958. Today the company is specialized in the field of projecting and erecting refrigeration plants as well as ice machines in the range 200 – 80.000 kg/24 hours on single frame machines.

The ice machines are produced in Denmark. The company is located on the island Mors.

We are able to handle enquiries for spare parts from our own stock. Spare parts and machines are sent on a daily basis.

Our technicians are very well educated and trained to service our installations.



BUUS, Frøslev Mors

The Buus group wishes to be in front with the development within the refrigeration segment. We hold all certificates and approvals in our companies.

A **BUUS** plant can be delivered for different types of refrigerant, covering:

- ✓ **HFC/HCFC**
- ✓ **Ammonia**
- ✓ **CO₂**
- ✓ **Brine**

BUUS Group wish to be your innovative supplier when it comes to new thinking. This covers refrigeration plants, freezing and ice machines. Or perhaps something complete different?

This means that our solutions are often based on customer demands. We take pride in that input from our customers, resulting in even better solutions.

As customer you can be confident that your **BUUS** plant fulfills existing and known future regulations. You will also benefit from our existing customers who have supplied us with best possible solutions implemented in our plants. This is an ongoing development.

BUUS Ice machines type M, C, D, E and F.

These machines were originally designed and optimized for onboard installations. They are extremely rugged and compact and are therefore easily installed in fish holds without occupying valuable space.

The machines are optimized and of high standard based on minimum size.

The evaporator forming the ice is produced from aluminum. This means maximum capacity on minimum size requirements.



Ice machine type D

More ice in less space.



Ice machine unit. Marine type.

All models for various types of refrigerant:

CO₂, Ammonia, HFC and Brine

Type	Capacities Kg/24h	Dimension LxBxH mm	Weight
SM	200-550	700x475x350	60
SC	800-2.000	1060x710x510	140
SD	1.000-3.500	1200x605x510	190
SE	3.000-4.500	1385x605x510	220
SF	5.000-10.000	1885x605x510	260

Data. Ice machine type M, C, D, E and F

BUUS Ice machines type V and VD.

These machines are our "heavy duty" series.

The V and VD series were previously produced by Atlas and Sabroe.

The series is developed so that reliable performance in a continuous operation over several years is obtained.

Around the world V and VD machines with an age of more than 40 years are still going strong.

The production of a VD746 is then more than 19 billion ton of ice.



Ice machine type VD746ULTS. Supplied to a customer in the Middle East.

All models for various types of refrigerant:

CO₂, Ammonia and HFC.



Ice machines type V-VD

Type	Capacities Kg/24h	Dimensions LxBxH mm	Weight
V156	4.300-8.800	1230x1145x1845	1100
V316	8.000-.23.300	1230x1165x2495	1360
V373	10.000-27.700	1230x1265x2800	1680
V619	17.100-44.100	1230x1265x3625	1900
VD746	21.400-55.400	1960x1210x2800	3350
VD1206	34.200-88.200	1960X1280X3700	4400

Data. Ice machine type V-VD

BUUS Slurry Ice generator.

Slurry ice is a homogeneous mix of ice and water.

The salt content is 1 to 3% to make it pumpable and smooth.

BUUS' slurry ice series is based on standard ice machines. Since the ice is formed on the outer diameter of the freezing drum, the machine is not so sensitive to the salt content of the inlet water. This is important on marine applications, since good slurry can be produced even if the salt content varies in different areas.

Total plants incl. storage and tapping stations are available.



Slurry on board an African trawler



Slurry plant type SSD8000

Capacities:

Slurry ice generators produces approximately three times as much slurry as solid ice. A one ton flake ice machine then produces three ton of slurry ice per 24 hours.

BUUS has a program for correct calculation and we are happy to calculate also your assignment to secure the optimal solution.



Slurry plant type SVD746

BUUS design.

Cold and Freezing storage.
Refrigeration plants, sales and aftersales service.

The core business of **BUUS** is flake ice machines and industrial refrigeration. We also offer design and project management as part of the scope.

BUUS' engineers are ISO-9001 certified for all applications within refrigeration.



Cold storage. Tange Frilandsgartneri A/S



Fish farming in Norway. 3 x SF8000USW ice flakers



Chilling sous vide meals in slurry ice.
Nursing home. Denmark.

BUUS perform tasks throughout Denmark and the rest of the world. What can we do for you and your company?

Please contact us.
Tel. +45 97 74 40 33.
E-mail buus@buus.dk

BUUS Special plants.

BUUS is much more than just traditional refrigeration plants. The project department has handled assignments in freezing of special medias like:

- ✓ Pet food
- ✓ Fruit juice for concentrate
- ✓ Instant coffee
- ✓ Blood plasma
- ✓ Cellulose fibers at -80°C

Please feel free to ask us
for advice



Water chiller $+3^{\circ}\text{C}$



Complete ice plant, Container solution



Blood and plasma ice machine type VS373



Shock freezing of cellulose fibers. -80°C plant

PRICELIST FOR BUUS ICE TYPE V and VD ICEFLAKERS

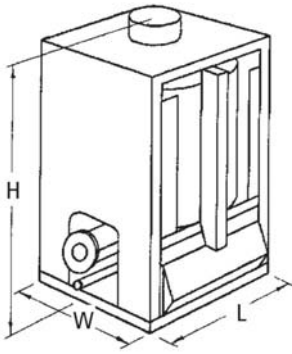
Without condensing unit / switchboard.

Date **01.01.2025**

Euro

Euro

Euro



Single drum model.

Type V156	L	W	H
mm	1230	1145	1845
in	48,4	45	72,6
Weight	1100 kg / 2445 lbs		
Charge*	R717: 45 kg. R22: 85 kg		

Type V156	Euro	DX	DX
Ice production	71.066	HFC/R717: 6.038	R744: 7.574
HFC/HCFC: 4300 - 8800 kg/24h			
NH3 (R717): 3800 - 8500 kg/24h			
CO2 (R744): 4300 - 8800 kg/24h			

Type V316	L	W	H
mm	1230	1165	2495
in	48,4	45,8	98,2
Weight	1360 kg / 3023 lbs		
Charge*	R717: 90 kg. R22: 180 kg		

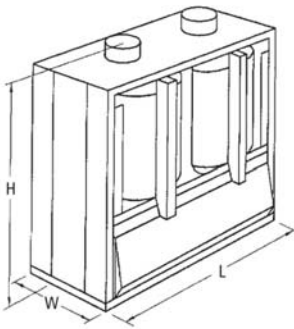
Type V316	Euro	DX	DX
Ice production	8.235	HFC/R717: 6.038	R744: 7.574
HFC/HCFC: 8000 - 23300 kg/24h			
NH3 (R717): 8100-21000 kg/24h			
CO2 (R744): 8000 - 23300 kg/24h			

Type V373	L	W	H
mm	1230	1265	2800
in	48,4	49,8	142,6
Weight	1680 kg / 4222 lbs		
Charge*	R717: 105 kg. R22: 210 kg		

Type V373	Euro	DX	DX
Ice production	100.673	HFC/R717: 6.038	R744: 7.574
HFC/HCFC: 10000 - 27700 kg/24h			
NH3 (R717): 9600 - 24800 kg/24h			
CO2 (R744): 10000 - 27700 kg/24h			

Type V619	L	W	H
mm	1230	1265	3625
in	48,4	49,8	142,6
Weight	1900 kg / 4222 lbs		
Charge*	R717: 150 kg. R22: 305 kg		

Type V619	Euro	DX	DX
Ice production	122.568	HFC/R717: 6.038	R744: 7.574
HFC/HCFC: 17100 - 44100 kg/24h			
NH3 (R717): 15300 - 39500 kg/24h			
CO2 (R744): 17100 - 44100 kg/24h			



Double drum model.

Type VD746	L	W	H
mm	1960	1210	2800
in	77,2	47,5	110,3
Weight	3350 kg / 7444 lbs		
Charge*	R717: 2x105 kg. R22: 2x210 kg		

Type VD746	Euro	DX	DX
Ice production	177.514	HFC/R717: 12.075	R744: 15.148
HFC/HCFC: 21400 - 55400 kg/24h			
NH3 (R717): 19200 - 49600 kg/24h			
CO2 (R744): 21400 - 55400 kg/24h			

Type VD1206	L	W	H
mm	1960	1280	3700
in	77,2	50,3	145,8
Weight	4400 kg / 9778 lbs		
Charge*	R717: 2x150 kg. R22: 2x305 kg		

Type VD1206	Euro	DX	DX
Ice production	222.134	HFC/R717: 12.075	R744: 15.148
HFC/HCFC: 34200 - 88200 kg/24h			
NH3 (R717): 30600 - 79000 kg/24h			
CO2 (R744): 34200 - 88200 kg/24h			

* By pumpcirculation system: Increase with 70%.

BUUS Switchboard for ice machines

Contains all functions for accurate control of BUUS V and VD ice machines.
Is delivered with one 'out' for condensing units and central cooling plants.
In stainless steel cabinet

Type Euro

VD 4.353

V 2.722

Type BUUS Control RF

BUUS Switchboard for units

BUUS Køleteknik A/S can deliver complete switchboards for units.

Contact us for further details.

When the ice is produced of saltwater the evaporation temperature must always be minimum -27°C.

Conditions:

Ambient temp. +2°C to +36°C., Water temp. +10°C to +15°C.

Suction press between -17°C to -36°C.

Ice thickness: 2 mm or according to offer.

Prices are Ex. Works, excl. V.A.T., packing and insurance.

All models can be delivered with:

Equipment for refrigerant control inlet

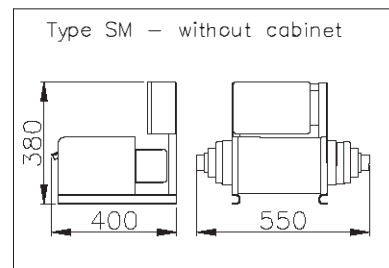
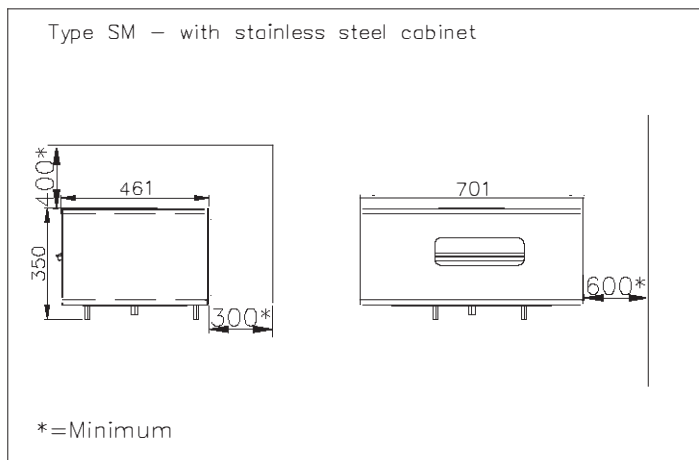
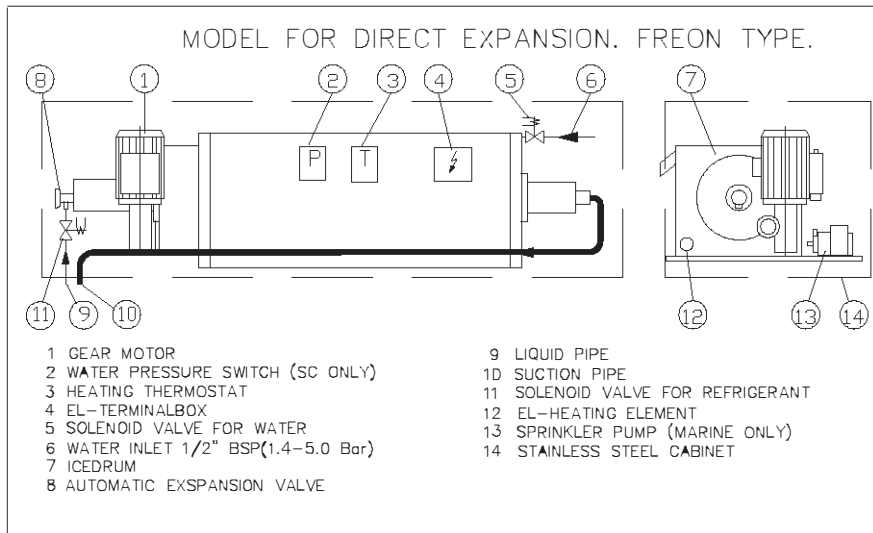
Manual and specifications



Contact BUUS Ice A/S for calculations and offers on V & VD iceflakers.

BUUS Iceflakers are PED approved.

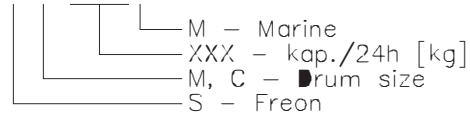
TECHNICAL DATA FOR 200-550 KG/24H ICEFLAKER DRUM FOR FREON



Type	Ice capacity kg/24h	Electric motor kW	Heating in water tank kW	Refrigerant	Weight with cabinet kg	Weight without cabinet kg	Cooling capacity/ evap. temp.** Water +15°C kW/°C	Cooling capacity/ evap. temp.** Water +25°C kW/°C
SM200	200	0.18	0.25	CFC/HCFC	60	37	1,2/-15	1,3/-15
SM350	350	0.18	0.25	CFC/HCFC	60	37	2/-16	2,2/-16
SM400	400	0.18	0.25	CFC/HCFC	60	37	2,3/-18	2,5/-18
SM550	550	0.18	0.25	CFC/HCFC	60	37	3,2/-19	3,5/-19

** When the ice is made from sea water, the evaporation temp. must always be -27°C


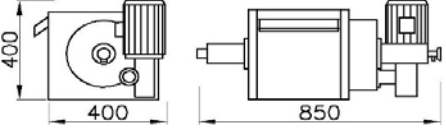
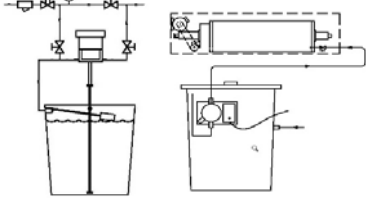
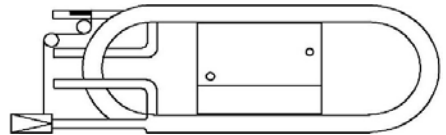
Types. Example: S M 400 M



PRICELIST FOR BUUS HFC/HCFC ICEFLAKERS

Without condensigunit / switchboard.

Date **01.01.25.**

	Ice-prod. kg / 24h	Capacity. kw / ford. °c	Cabinet	Price land version Type EURO		Price marine version Type EURO	
800-2000 kg/24h with cabinet							
	800	4,5 / -18	YES	SC800	20.000	SC800M	21.645
	1000	5,5 / -20	YES	SC1000	20.000	SC1000M	21.645
	1200	6,5 / -23	YES	SC1200	20.000	SC1200M	21.645
	1400	8 / -25	YES	SC1400	20.000	SC1400M	21.645
	1700	9,7 / -27	YES	SC1700	20.000	SC1700M	21.645
	2000	11,5 / -29	YES	SC2000	20.000	SC2000M	21.645
800-2000 kg/24h without cabinet							
	800	4,5 / -18	NO	SC800Y	18.790	SC800MY	20.445
	1000	5,5 / -20	NO	SC1000Y	18.790	SC1000MY	20.445
	1200	6,5 / -23	NO	SC1200Y	18.790	SC1200MY	20.445
	1400	8 / -25	NO	SC1400Y	18.790	SC1400MY	20.445
	1700	9,7 / -27	NO	SC1700Y	18.790	SC1700MY	20.445
	2000	11,5 / -29	NO	SC2000Y	18.790	SC2000MY	20.445
BUUS SALT-MIXER				BUUS Stainless pre-cooler.			
<p>To be used where the water is of low Calcium content.</p> <p>Typically surfacewater, meltingwater and other distilled water.</p>				<p>To be used when the water temp. exceeds +15°C.</p> 			
<p>Type SALT-01 for dosing to more iceflakers</p> <p>Type SALT-02 for dosing to one iceflaker</p>	Salt-01	Salt-02	2.335	TYPE	PRICE EURO		
	Salt-02	2.335	PRE-01	2.915			

<p>BUUS Switchboard for iceflakers</p> <p>Contains alle functions for accurate control of BUUS iceflakers.</p> <p>Is delivered with one 'out' for condensig units and central cooling plants.</p> <p>In stainless steel cabinet</p> <p style="text-align: right;">Type BUUS Control RF</p>	<p>BUUS Switchboard for units</p> <p>BUUS Køleteknik A/S can deliver complete switchboards for units.</p> <p>Contact us for further details.</p>
---	---

When the ice is produced of saltwater the evaporation temp. must always be minimum -27°C.

Conditions:

Ambient temp. +2°C to +36°C., Water temp. +5°C to +15°C.
 Ice thickness 1,1 to 1,3 mm, Ice temp. -2°C to -5°C.
 Prices are Ex. Works, excl. V.A.T., packing and insurance.

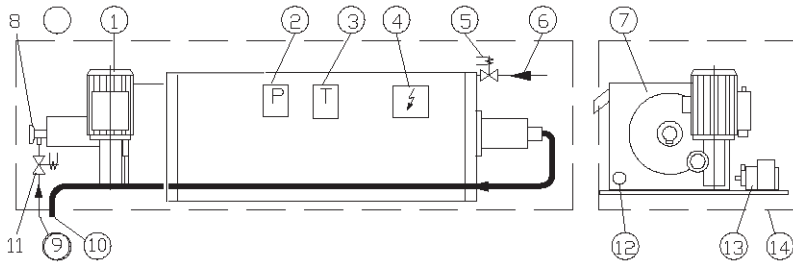
Iceflaker:

Solenoidvalve for water/refrigerant.
 Gearmotor for isdrum.
 Expansion valve for refrigerant.



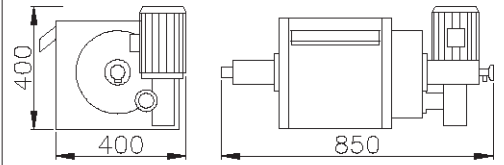
TECHNICAL DATA FOR 700-2000 KG/24H ICEFLAKER FOR CFC/HCFC

MODEL FOR DIRECT EXPANSION. FREON TYPE.

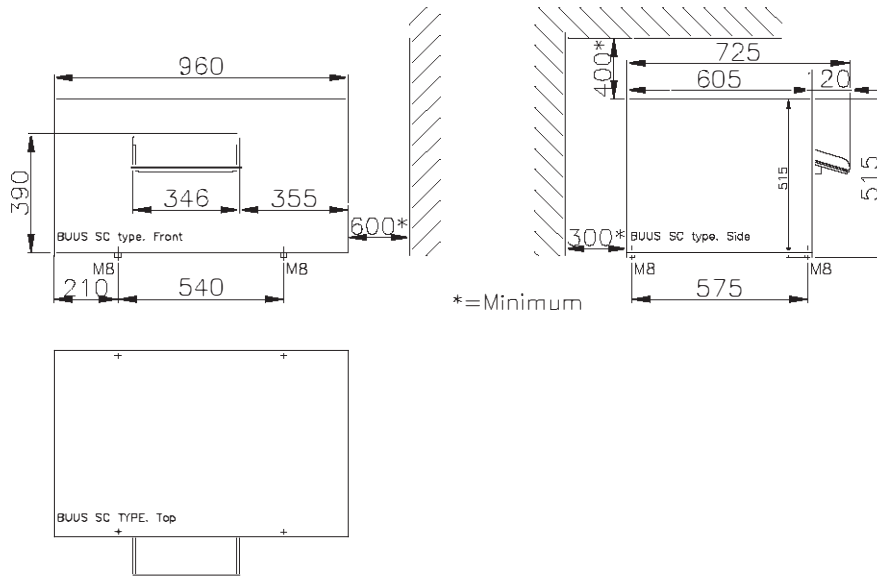


- | | |
|-------------------------------------|-----------------------------------|
| 1 GEAR MOTOR | 9 LIQUID PIPE |
| 2 WATER PRESSURE SWITCH (SC ONLY) | 10 SUCTION PIPE |
| 3 HEATING THERMOSTAT | 11 SOLENOID VALVE FOR REFRIGERANT |
| 4 EL-TERMINALBOX | 12 EL-HEATING ELEMENT |
| 5 SOLENOID VALVE FOR WATER | 13 SPRINKLER PUMP (MARINE ONLY) |
| 6 WATER INLET 1/2" BSP(1.4-5.0 Bar) | 14 STAINLESS STEEL CABINET |
| 7 ICEDRUM | |
| 8 AUTOMATIC EXPANSION VALVE | |

Type SC - without cabinet



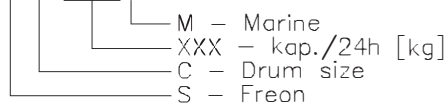
Type SC - with stainless steel cabinet



Type	Ice capacity kg/24h	Electric motor kW	Heating in water tank kW	Refrigerant	Weight with cabinet kg	Weight without cabinet kg	Cooling capacity/ evap. temp.** Water +15°C kW/°C	Cooling capacity/ evap. temp.** Water +25°C kW/°C
SC700	700	0.18	0,5	CFC/HCFC	140	99	4/-17	4,4/-17
SC800	800	0.18	0,5	CFC/HCFC	140	99	4,5/-18	5/-18
SC1000	1000	0.18	0,5	CFC/HCFC	140	99	5,5/-20	6,5/-20
SC1200	1200	0.18	0,5	CFC/HCFC	140	99	6,5/-23	7,5/-23
SC1400	1400	0.18	0,5	CFC/HCFC	140	99	8/-25	8,8/-25
SC1700	1700	0.18	0,5	CFC/HCFC	140	99	9,7/-27	10,7/-27
SC2000	2000	0.18	0,5	CFC/HCFC	140	99	11,5/-29	12,5/-29

** When the ice is made from sea water, the evaporation temp. must always be -27°C

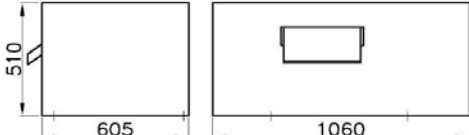
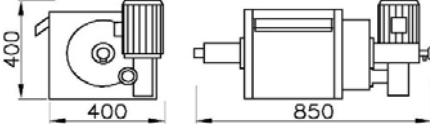
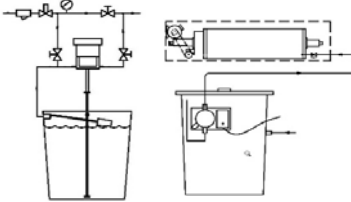
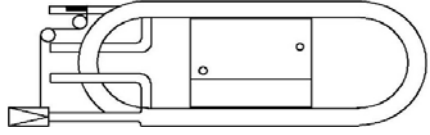
Types. Example: S C 800 M



PRICELIST FOR BUUS CO2 ICEFLAKERS - DX/PUMP

Without condensingunit / switchboard.

Date 01.01.25.

	Ice-prod. kg / 24h	Capacity. kw / ford. °c	Cabinet	Price land version		Price marine version	
				Type	EURO	Type	EURO
800-2000 kg/24h with cabinet							
	900	5 / -18	YES	CC900	22.885	CC900M	24.530
	1100	6,1 / -20	YES	CC1100	22.885	CC1100M	24.530
	1400	8 / -23	YES	CC1400	22.885	CC1400M	24.530
	1700	9,7 / -25	YES	CC1700	22.885	CC1700M	24.530
	2100	12 / -29	YES	CC2100	22.885	CC2100M	24.530
800-2000 kg/24h without cabinet							
	900	5 / -18	NO	CC900Y	21.675	CC900MY	23.345
	1100	6,1 / -20	NO	CC1100Y	21.675	CC1100MY	23.345
	1400	8 / -23	NO	CC1400Y	21.675	CC1400MY	23.345
	1700	9,7 / -25	NO	CC1700Y	21.675	CC1700MY	23.345
	2100	12 / -29	NO	CC2100Y	21.675	CC2100MY	23.345
BUUS SALT-MIXER				BUUS Stainless pre-cooler.			
<p>To be used where the water is of low Calcium content.</p> <p>Typically surfacewater, meltingwater and other distilled water.</p>						<p>To be used when the water temp. exceeds +15°c.</p> 	
				Salt-01	Salt-02		
Type SALT-01 for dosing to more iceflakers				Salt-01	2.350	AFTER AGREEMENT	
Type SALT-02 for dosing to one iceflaker				Salt-02	2.350		

<p>BUUS Switchboard for iceflakers</p> <p>Contains alle functions for accurate control of BUUS iceflakers.</p> <p>Is delivered with one 'out' for condensing units and central cooling plants.</p> <p>In stainless steel cabinet</p> <p style="text-align: right;">Type BUUS Control RF</p>	<p>BUUS Switchboard for units</p> <p>BUUS Køleteknik A/S can deliver complete switchboards for units.</p> <p>Contact us for further details.</p>
--	---

When the ice is produced of saltwater the evaporation temp. must always be minimum -27°c.

Conditions:

Ambient temp. +2°c to +36°c., Water temp. +5°c to +15°c.
 Ice thickness 1,1 to 1,3 mm, Ice temp. -2°c to -5°c.
 Prices are Ex. Works, excl. V.A.T., packing and insurance.

Iceflaker:

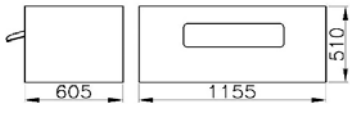
Solenoidvalve for water/refrigerant.
 Gearmotor for isdrum.
 Expansion valve for refrigerant.

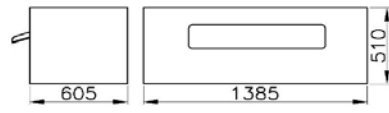


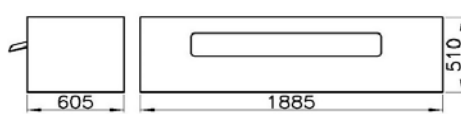
PRICELIST FOR BUUS CO2 ICEFLAKERS - DX & PUMP CIRC.

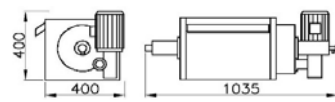
Without condensing unit / switchboard.

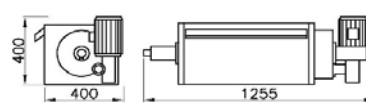
Date **01.01.25.**

1700-4000 kg/24h with cabinet	Ice-prod. kg / 24h	Capacity. kw / ford. °c	Cabinet	Price land version		Price marine version	
				Type	EURO	Type	EURO
	1700	9,7 / -15	YES	CD1700	30.580	CD1700M	32.565
	2100	12 / -18	YES	CD2100	30.580	CD2100M	32.565
	2800	16 / -20	YES	CD2800	30.580	CD2800M	32.565
	3500	21 / -26	YES	CD3500	30.580	CD3500M	32.565
	4000	23 / -29	YES	CD4000	30.580	CD4000M	32.565

3500-6000 kg/24h with cabinet							
	3500	20,5 / -18	YES	CE3500	37.480	CE3500M	39.680
	4400	24,5 / -20	YES	CE4400	37.480	CE4400M	39.680
	5100	30 / -24	YES	CE5100	37.480	CE5100M	39.680
	6000	35 / -29	YES	CE6000	37.480	CE6000M	39.680

5500-11000 kg/24h with cabinet							
	5500	32 / -18	YES	CF5500	52.455	CF5500M	55.015
	6700	39 / -20	YES	CF6700	52.455	CF6700M	55.015
	7800	45 / -22	YES	CF7800	52.455	CF7800M	55.015
	9000	52 / -24	YES	CF9000	52.455	CF9000M	55.015
	11000	64 / -30	YES	CF11000	55.840	CF11000M	58.360

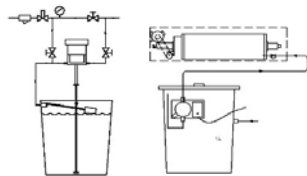
1700-4000 kg/24h without cabinet							
	1700	9,7 / -15	NO	CD1700Y	28.805	CD1700MY	30.810
	2100	12 / -18	NO	CD2100Y	28.805	CD2100MY	30.810
	2800	16 / -20	NO	CD2800Y	28.805	CD2800MY	30.810
	3500	21 / -26	NO	CD3500Y	28.805	CD3500MY	30.810
	4000	23 / -29	NO	CD4000Y	28.805	CD4000MY	30.810

3500-6000 kg/24h without cabinet							
	3500	20,5 / -18	NO	CE3500Y	35.365	CE3500MY	37.565
	4400	24,5 / -20	NO	CE4400Y	35.365	CE4400MY	37.565
	5100	30 / -24	NO	CE5100Y	35.365	CE5100MY	37.565
	6000	35 / -29	NO	CE6000Y	35.365	CE6000MY	37.565

BUUS SALT-MIXER

To be used where the water is of low Calcium content.

Typically surfacewater, meltingwater and other distilled water.



Salt-01

Salt-02

Type SALT-01 for dosing to more iceflakers

Type SALT-02 for dosing to one iceflaker

Salt-01

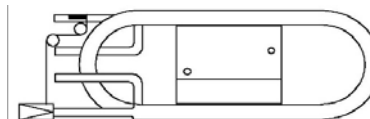
2.350

Salt-02

2.350

BUUS Stainless pre-cooler.

To be used when the water temp. exceeds +15°C.



AFTER AGREEMENT

BUUS Switchboard for iceflakers

Contains alle functions for accurate control of BUUS iceflakers.

Is delivered with one 'out' for condensing units and central cooling plants.

In stainless steel cabinet

Type BUUS Control RF

In plastic cabinet

Type BUUS Control PL

BUUS Switchboard for units

BUUS Kølleteknik A/S can deliver complete switchboards for units.

Contact us for further details.

When the ice is produced of saltwater the evaporation temp. must always be minimum -27°C.

Conditions:

Ambient temp. +2°C to +36°C., Water temp. +5°C to +15°C.

Ice thickness 1,1 to 1,3 mm, Ice temp. -2°C to -5°C.

Prices are Ex. Works, excl. V.A.T., packing and insurance.

Iceflaker:

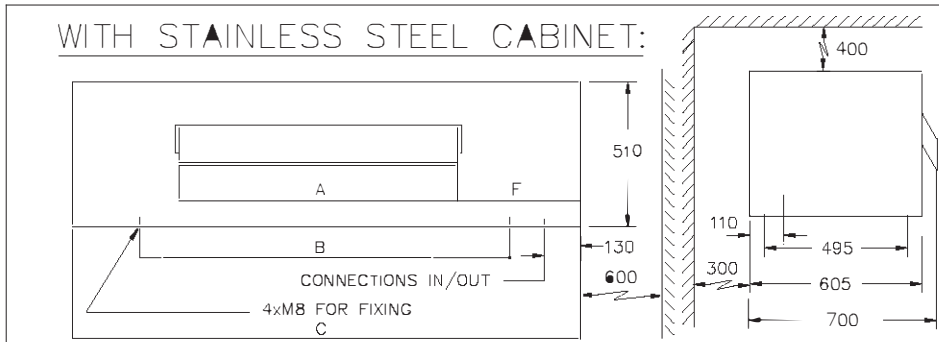
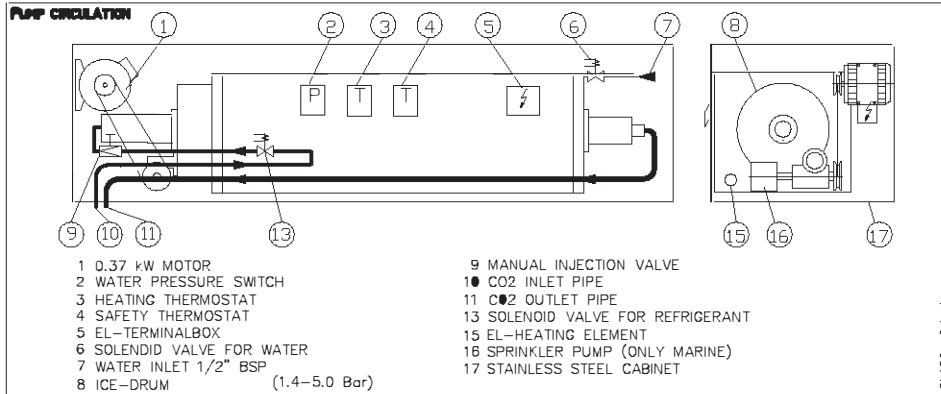
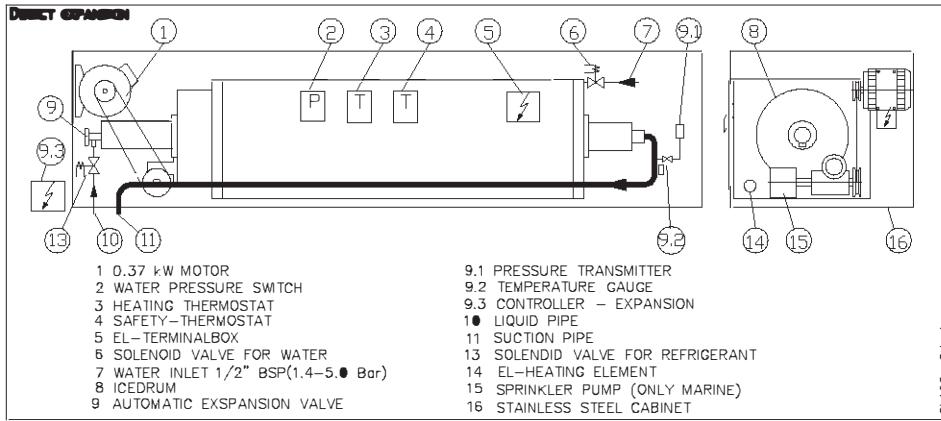
Solenoidvalve for water/refrigerant.

Gearmotor for isdrum.

Expansion valve for refrigerant.



TECHNICAL DATA FOR TYPE D-E-F DRUMS FOR CO2



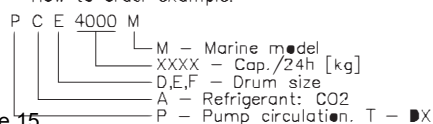
Type	Ice capacity kg/24h	El-motor ice-flaker kW	Heating in water-tank kW	Refrigerant	Weight with cabinet kg	Weight without cabinet kg	Cooling capacity/ evap.temp.* Water +15°C kW/°C	Cooling capacity/ evap.temp.* Water +25°C kW/°C
CD1700	1700	0.37	0.7	R744	190	130	9,7/-15	11/-15
CD2100	2100	0.37	0.7	R744	190	130	12/-18	13/-18
CD2800	2800	0.37	0.7	R744	190	130	16/-20	17/-20
CD3500	3500	0.37	0.7	R744	190	130	20/-26	22/-26
CD4000	3500	0.37	0.7	R744	190	130	23/-29	25/-29
CE3500	3500	0.37	1.4	R744	200	140	20/-18	22/-18
CE4400	4400	0.37	1.4	R744	200	140	25/-20	27,5/-20
CE5100	5100	0.37	1.4	R744	200	140	29/-24	32/-24
CE6000	6000	0.37	1.4	R744	200	140	35/-29	38,5/-29
CF5500	5500	0.37	2.1	R744	260	180	32/-18	35/-18
CF6700	6000	0.37	2.1	R744	260	180	39/-20	43/-20
CF7800	7800	0.37	2.1	R744	260	180	45/-22	50/-22
CF9000	9000	0.37	2.1	R744	260	180	52/-24	57/-24
CF11000	11000	0.37	2.1	R744	260	180	64/-30	71/-30

DIMENSIONS

TYPE	A	B	C	D	E	F
TCD PC	595	657	1155	1250	615	290
TCE PCE	815	887	1385	1370	835	290
TCF PCF	1160	1370	1885	1870	1180	420

* When the ice is produced by salt-water, the evaporation temp. must always be -27°C


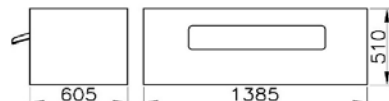
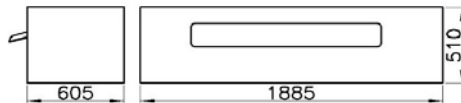
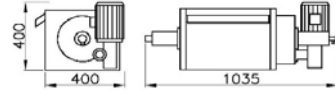
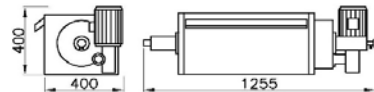
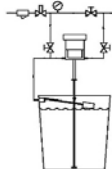
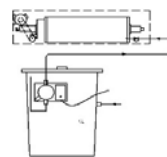
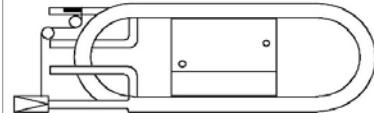
How to order example:



PRICELIST FOR BUUS HFC/HCFC ICEFLAKERS

Without condensing unit / switchboard.

Date **01.01.25.**

1000-3500 kg/24h with cabinet	Ice-prod. kg / 24h	Capacity. kw / ford. °c	Cabinet	Price land version		Price marine version									
				Type	EURO	Type	EURO								
	1000	5,5 / -13	YES	SD1000	27.455	SD1000M	29.450								
	1500	8,5 / -14	YES	SD1500	27.455	SD1500M	29.450								
	2000	11,5 / -17	YES	SD2000	27.455	SD2000M	29.450								
	2500	14,5 / -19	YES	SD2500	27.455	SD2500M	29.450								
	3500	20,5 / -27	YES	SD3500	27.455	SD3500M	29.450								
3000-5000 kg/24h with cabinet															
	3000	17,5 / -17	YES	SE3000	34.355	SE3000M	36.550								
	4000	22,5 / -20	YES	SE4000	34.355	SE4000M	36.550								
	4500	26,5 / -23	YES	SE4500	34.355	SE4500M	36.550								
	5000	29 / -27	YES	SE5000	34.355	SE5000M	36.550								
5000-10000 kg/24h with cabinet															
	5000	29 / -17	YES	SF5000	49.340	SF5000M	51.890								
	6000	35 / -19	YES	SF6000	49.340	SF6000M	51.890								
	7000	40,5 / -22	YES	SF7000	49.340	SF7000M	51.890								
	8000	46,5 / -23	YES	SF8000	49.340	SF8000M	51.890								
	10000	58 / -29	YES	SF10000	52.725	SF10000M	55.245								
1000-3500 kg/24h without cabinet															
	1000	5,5 / -13	NO	SD1000Y	25.675	SD1000MY	27.685								
	1500	8,5 / -14	NO	SD1500Y	25.675	SD1500MY	27.685								
	2000	11,5 / -17	NO	SD2000Y	25.675	SD2000MY	27.685								
	2500	14,5 / -19	NO	SD2500Y	25.675	SD2500MY	27.685								
3000-4500 kg/24h without cabinet															
	3000	17,5 / -17	NO	SE3000Y	32.240	SE3000MY	34.435								
	4000	22,5 / -20	NO	SE4000Y	32.240	SE4000MY	34.435								
	4500	26,5 / -23	NO	SE4500Y	32.240	SE4500MY	34.435								
BUUS SALT-MIXER				BUUS Stainless pre-cooler.											
<p>To be used where the water is of low Calcium content.</p> <p>Typically surfacewater, meltingwater and other distilled water.</p>				<p>To be used when the water temp. exceeds +15°C.</p>											
 															
Salt-01 Salt-02															
Type SALT-01 for dosing to more iceflakers Type SALT-02 for dosing to one iceflaker				<table border="1" style="width: 100%; border-collapse: collapse;"> <tr> <td style="width: 20%;">Salt-01</td> <td style="width: 20%;">2.335</td> <td style="width: 20%;">TYPE</td> <td style="width: 40%;">PRICE EURO</td> </tr> <tr> <td>Salt-02</td> <td>2.335</td> <td>PRE-01</td> <td>2.925</td> </tr> </table>				Salt-01	2.335	TYPE	PRICE EURO	Salt-02	2.335	PRE-01	2.925
Salt-01	2.335	TYPE	PRICE EURO												
Salt-02	2.335	PRE-01	2.925												

<p>BUUS Switchboard for iceflakers</p> <p>Contains alle functions for accurate control of BUUS iceflakers.</p> <p>Is delivered with one 'out' for condensing units and central cooling plants.</p> <p>In stainless steel cabinet Type BUUS Control RF</p> <p>In plastic cabinet Type BUUS Control PL</p>	<p>BUUS Switchboard for units</p> <p>BUUS Kølleteknik A/S can deliver complete switchboards for units.</p> <p>Contact us for further details.</p>
---	--

When the ice is produced of saltwater the evaporation temp. must always be minimum -27°C.

Conditions:

Ambient temp. +2°C to +36°C., Water temp. +5°C to +15°C.
 Ice thickness 1,1 to 1,3 mm, Ice temp. -2°C to -5°C.
 Prices are Ex. Works, excl. V.A.T., packing and insurance.

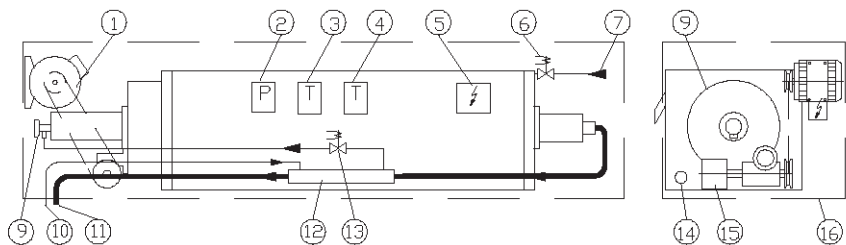
Iceflaker:

Solenoidvalve for water/refrigerant.
 Gearmotor for isdrum.
 Expansion valve for refrigerant.



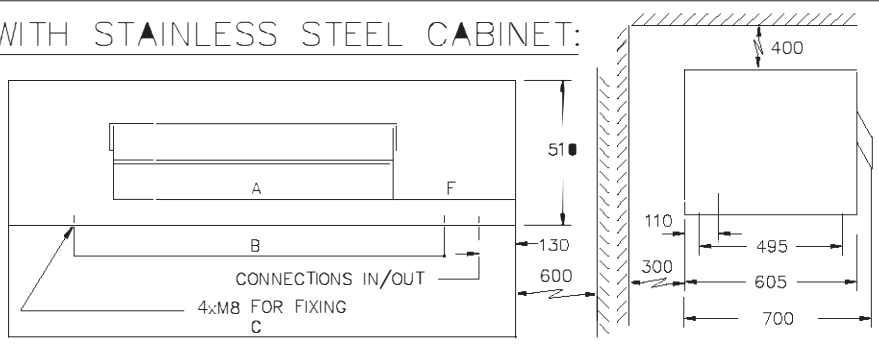
TECHNICAL DATA FOR I000-I0000 KG/24H ICEFLAKER DRUM FOR HFC/HCFC

MODEL FOR DIRECT EXPANSION. FREON TYPE.



- | | |
|-------------------------------------|-----------------------------------|
| 1 0.37 kW MOTOR | 10 LIQUID PIPE |
| 2 WATER PRESSURE SWITCH | 11 SUCTION PIPE |
| 3 HEATING THERMOSTAT | 12 HEAT EXCHANGER |
| 4 SAFETY-THERMOSTAT | 13 SOLENOID VALVE FOR REFRIGERANT |
| 5 EL-TERMINALBOX | 14 EL-HEATING ELEMENT |
| 6 SOLENOID VALVE FOR WATER | 15 SPRINKLER PUMP (ONLY MARINE) |
| 7 WATER INLET 1/2" BSP(1.4-5.0 Bar) | 16 STAINLESS STEEL CABINET |
| 8 ICEDRUM | |
| 9 AUTOMATIC EXPANSION VALVE | |

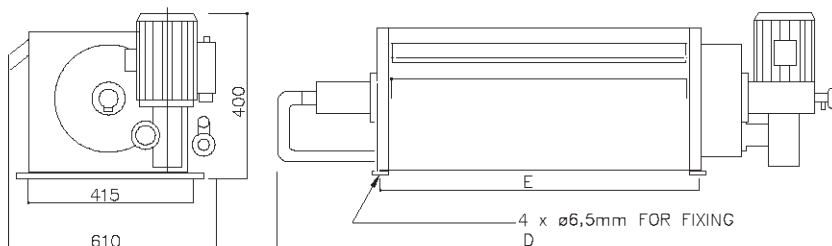
WITH STAINLESS STEEL CABINET:



D I M E N S I O N S

TYPE	A	B	C	D	E	F
SD	595	657	1155	125	615	290
SE	815	887	1385	1370	835	290
SF	116	137	1885	187	118	420

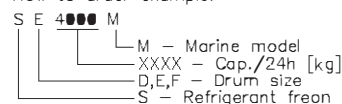
WITHOUT CABINET:



Type	Ice capacity kg/24h	El-motor ice-flaker kW	Heating in water-tank kW	Refrigerant	Weight with cabinet kg	Weight without cabinet kg	Cooling capacity/evap. temp. * Water +15°C kW/°C	Cooling capacity/evap. temp. ** Water +25°C kW/°C
SD 100	100	0.37	0.7	CFC HCFC	19	13	5,5/-13	6,0/-13
SD 1500	1500	0.37	0.7	CFC HCFC	19	13	8,5/-14	9,5/-14
SD 2000	2000	0.37	0.7	CFC HCFC	190	130	11,5/-17	12,8/-17
SD 2500	2500	0.37	0.7	CFC HCFC	190	130	14,5/-19	16,5/-19
SE 3000	3000	0.37	1.4	CFC HCFC	200	140	17,5/-17	19,5/-17
SE 4000	4000	0.37	1.4	CFC HCFC	200	140	22,5/-20	25,0/-20
SE 4500	4500	0.37	1.4	CFC HCFC	200	140	26,5/-23	30,0/-23
SF 5000	5000	0.37	2.1	CFC HCFC	260	180	29,0/-17	32,0/-17
SF 6000	6000	0.37	2.1	CFC HCFC	260	180	35,0/-19	39,0/-19
SF 7000	7000	0.37	2.1	CFC HCFC	260	180	40,5/-22	45,5/-22
SF 8000	8000	0.37	2.1	CFC HCFC	260	180	46,5/-23	52,0/-23
SF 10000	10000	0.37	2.1	CFC HCFC	260	180	58,0/-29	65,0/-29

** When the ice is produced by salt-water, the evaporation temp. must always be -27°C

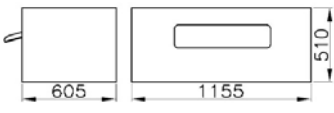
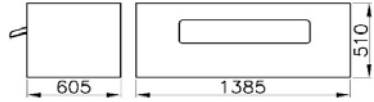
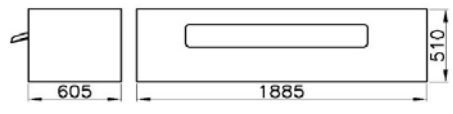
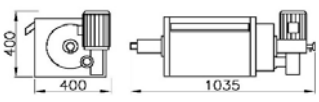
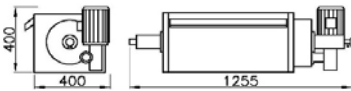
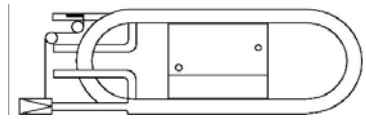
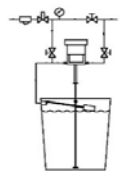
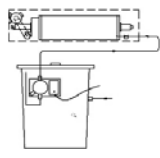
How to order example:



PRICELIST FOR BUUS AMMONIA ICEFLAKERS

Without condensigunit / switchboard.

Date **01.01.25.**

1000-3300 kg/24h with cabinet	Ice-prod.	Capacity.	Cabinet	Price land version		Price marine version	
	kg / 24h	kw / ford. °c		Type	EURO	Type	EURO
	1000	5,5 / -18	YES	AD1000	32.750	AD1000M	34.735
	1500	8,5 / -20	YES	AD1500	32.750	AD1500M	34.735
	2000	11,5 / -22	YES	AD2000	32.750	AD2000M	34.735
	2500	14,5 / -24	YES	AD2500	32.750	AD2500M	34.735
	3300	19,2 / -31	YES	AD3300	32.750	AD3300M	34.735
3000-4500 kg/24h with cabinet							
	3000	17,5 / -21	YES	AE3000	40.880	AE3000M	43.075
	4000	23,5 / -23	YES	AE4000	40.880	AE4000M	43.075
	4500	27,5 / -24	YES	AE4500	40.880	AE4500M	43.075
5000-10000 kg/24h with cabinet							
	5000	29 / -20	YES	AF5000	56.255	AF5000M	58.805
	6000	35 / -22	YES	AF6000	56.255	AF6000M	58.805
	7000	40,5 / -24	YES	AF7000	56.255	AF7000M	58.805
	8000	46,5 / -26	YES	AF8000	56.255	AF8000M	58.805
	10000	58 / -31	YES	AF10000	60.190	AF10000M	62.765
1000-3300 kg/24h without cabinet							
	1000	5,5 / -18	NO	AD1000Y	30.960	AD1000MY	32.955
	1500	8,5 / -20	NO	AD1500Y	30.960	AD1500MY	32.955
	2000	11,5 / -22	NO	AD2000Y	30.960	AD2000MY	32.955
	2500	14,5 / -24	NO	AD2500Y	30.960	AD2500MY	32.955
3000-4500 kg/24h without cabinet							
	3000	17,5 / -21	NO	AE3000Y	38.750	AE3000MY	40.960
	4000	23,5 / -23	NO	AE4000Y	38.750	AE4000MY	40.960
	4500	27,5 / -24	NO	AE4500Y	38.750	AE4500MY	40.960
BUUS SALT-MIXER				BUUS Stainless pre-cooler.			
To be used where the water is of low Calcium content.				To be used when the water temp. exceeds +15°c.			
Typically surfacewater, meltingwater and other distilled water.							
							
Salt-01				Salt-02			
Type SALT-01 for dosing to more iceflakers	Salt-01	2.335		TYPE	PRICE EURO		
Type SALT-02 for dosing to one iceflaker	Salt-02	2.335		PRE-10A	5.960		

BUUS Switchboard for iceflakers Contains alle functions for accurate control of BUUS iceflakers. Is delivered with one 'out' for condensig units and central cooling plants. In stainless steel cabinet Type BUUS Control RF In plastic cabinet Type BUUS Control PL	BUUS Switchboard for units BUUS Køleteknik A/S can deliver complete switchboards for units. Contact us for further details.
---	--

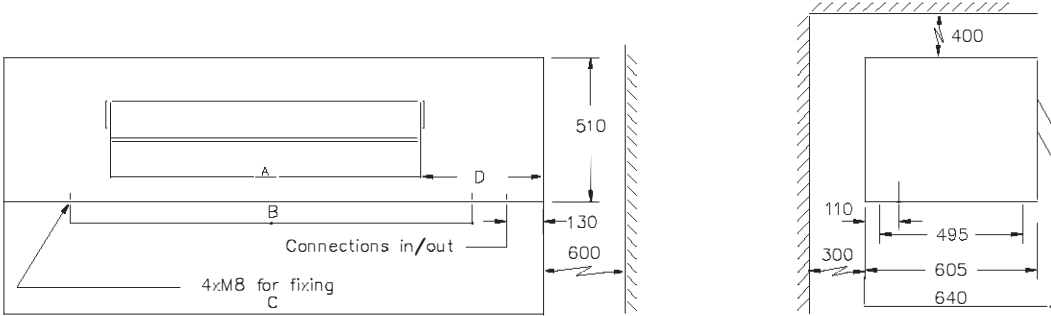
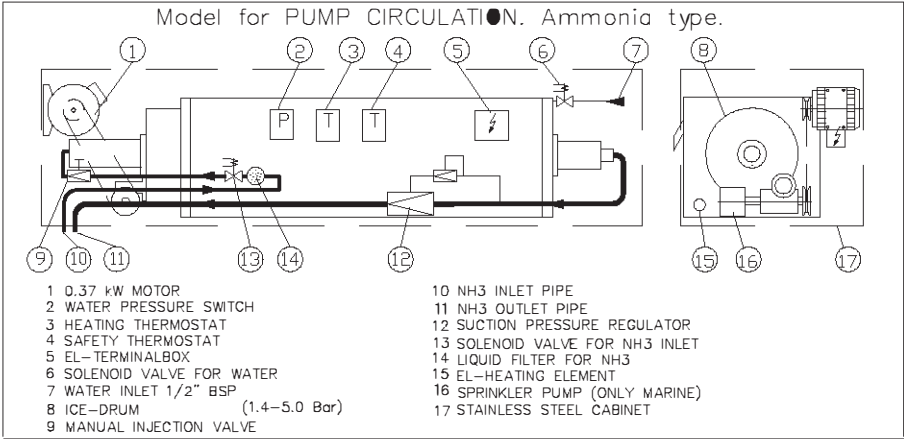
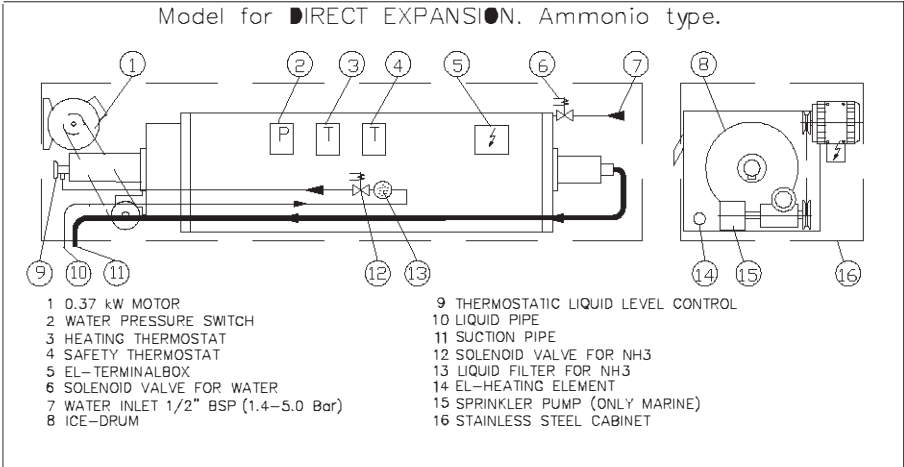
When the ice is produced of saltwater the evaporation temp. must always be minimum -27°c.

Conditions:
Direct / Pumpcirculation systems to be delivered.
 Ambient temp. +2°c to +36°c., Water temp. +5°c to +15°c.
 Ice thickness 1,1 to 1,3 mm, Ice temp. -2°c to -5°c.
 Prices are Ex. Works, excl. V.A.T., packing and insurance.

Iceflaker:
 Solenoidvalve for water/refrigerant.
 Gearmotor for isdrum.
 Expansion valve for refrigerant.



TECHNICAL DATA FOR 1000-10000 KG/24H ICEFLAKER DRUM FOR NH₃



With stainless steel cabinet:

Type	Ice capacity kg/24h	El-motor ice-flaker kW	Heating in water- tank kW	Refrigerant	Weight with cabinet kg	Weight without cabinet kg	Cooling capacity/ evap.temp.** water+15°C kW/°C	Cooling capacity/ evap.temp.** water+25°C kW/°C
AD1000	1000	0.37	0.7	NH ₃	210	150	5,5/-18	6,0/-18
AD1500	1500	0.37	0.7	NH ₃	210	150	8,5/-20	9,5/-20
AD2000	2000	0.37	0.7	NH ₃	210	150	11,5/-22	12,8/-22
AD2500	2500	0.37	0.7	NH ₃	210	150	14,5/-24	16,5/-24
AD3300	3300	0.37	0.7	NH	210	150	19,2/-31	21,7/-31
AE3000	3000	0.37	1.4	NH ₃	220	160	17,5/-21	19,5/-21
AE4000	4000	0.37	1.4	NH ₃	220	160	23,5/-23	26,0/-23
AE4500	4500	0.37	1.4	NH ₃	220	160	27,5/-24	31,0/-24
AF5000	5000	0.37	2.1	NH ₃	280	200	29,0/-20	32,0/-20
AF6000	6000	0.37	2.1	NH ₃	280	200	35,0/-22	39,0/-22
AF7000	7000	0.37	2.1	NH ₃	280	200	40,5/-24	45,5/-24
AF8000	8000	0.37	2.1	NH ₃	280	200	46,5/-26	52,0/-26
AF10000	10000	0.37	2.1	NH ₃	280	200	58,0/-31	65,0/-31

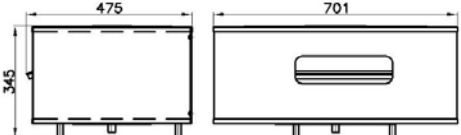
DIMENSIONS				
TYPE	A	B	C	D
AD	595	657	1155	290
AE	815	877	1385	290
AF	1160	1370	1885	420

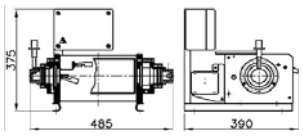
** When the ice is produced by salt-water, the evaporation temp. must always be -27°C

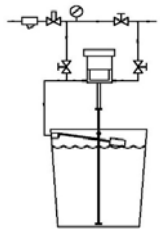
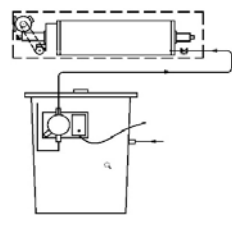
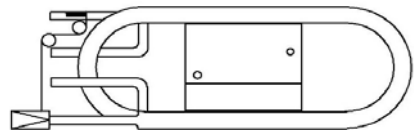
PRICELIST FOR BUUS BRINE ICEFLAKERS

Without condensing unit / switchboard.

Date **01.01.25.**

	Ice-prod. kg / 24h	Capacity.			Flow m3/h	DP Bar	Price land version		Price marine version	
		kw	T1 °c	T2 °c			Type	EURO	Type	EURO
200-550 kg/24h with cabinet										
	200	1,2	-17	-15	0,8	0,6	BM200	14.720	BM200M	15.730
	350	2	-18	-16	1,4	0,6	BM350	14.720	BM350M	15.730
	400	2,3	-20	-18	1,5	0,8	BM400	15.975	BM400M	16.970
	550	3,2	-21	-19	1,8	1	BM550	15.975	BM550M	16.970

200-550 kg/24h without cabinet										
	200	1,2	-17	-15	0,8	0,6	BM200Y	13.720	BM200MY	14.720
	350	2	-18	-16	1,4	0,6	BM350Y	13.720	BM350MY	14.720
	400	2,3	-20	-18	1,5	0,8	BM400Y	15.000	BM400MY	15.985
	550	3,2	-21	-19	1,8	1	BM550Y	15.000	BM550MY	15.985

BUUS SALT-MIXER		BUUS Stainless pre-cooler.								
<p>To be used where the water is of low Calcium content.</p> <p>Typically surfacewater, meltingwater and other distilled water.</p>	 Salt-01  Salt-02	<p>To be used when the water temp. exceeds +15°C.</p> 								
<p>Type SALT-01 for dosing to more iceflakers</p> <p>Type SALT-02 for dosing to one iceflaker</p>	<table style="width: 100%; border-collapse: collapse;"> <tr> <td style="border: 1px solid black;">Salt-01</td> <td style="border: 1px solid black; text-align: right;">2.335</td> <td style="border: 1px solid black;">TYPE</td> <td style="border: 1px solid black; text-align: right;">PRICE EURO</td> </tr> <tr> <td style="border: 1px solid black;">Salt-02</td> <td style="border: 1px solid black; text-align: right;">2.335</td> <td style="border: 1px solid black;">PRE-01</td> <td style="border: 1px solid black; text-align: right;">2.915</td> </tr> </table>	Salt-01	2.335	TYPE	PRICE EURO	Salt-02	2.335	PRE-01	2.915	
Salt-01	2.335	TYPE	PRICE EURO							
Salt-02	2.335	PRE-01	2.915							

BUUS Switchboard for iceflakers	BUUS Switchboard for units
<p>Contains alle functions for accurate control of BUUS iceflakers.</p> <p>Is delivered with one 'out' for condensing units and central cooling plants.</p>	<p>BUUS Køleteknik A/S can deliver complete switchboards for units.</p> <p>Contact us for further details.</p>
<p>In stainless steel cabinet</p> <p>In plastic cabinet</p>	<p style="text-align: center;">Type BUUS Control RF</p> <p style="text-align: center;">Type BUUS Control PL</p>

When the ice is produced of saltwater the evaporation temp. must always be minimum -27°C.

Conditions:

Ambient temp. +2°C to +36°C., Water temp. +5°C to +15°C.
 Ice thickness 1,1 to 1,3 mm, Ice temp. -2°C to -5°C.
 Prices are Ex. Works, excl. V.A.T., packing and insurance.

Iceflaker:

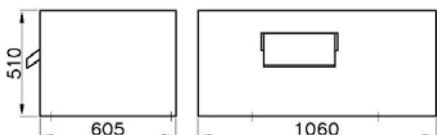
Solenoidvalve for water/refrigerant.
 Gearmotor for isdrum.
 Expansion valve for refrigerant.

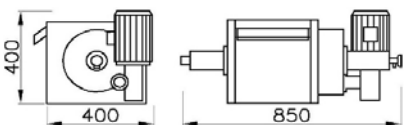


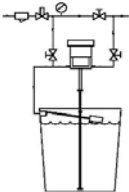
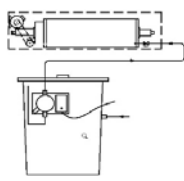
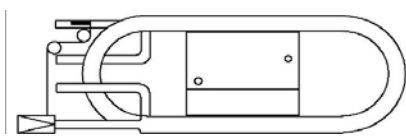
PRICELIST FOR BUUS BRINE ICEFLAKERS

Without condensing unit / switchboard.

Date **01.01.25.**

	Ice-prod. kg / 24h	Capacity.		Flow m3/h	DP Bar	Price land version		Price marine version		
		kw	T1 °c			T2 °c	Type	EURO	Type	EURO
800-1400 kg/24h with cabinet										
	800	4,5	-21	-18	1,7	0,6	BC800	20.015	BC800M	21.635
	1000	5,5	-23	-20	2	0,6	BC1000	20.015	BC1000M	21.635
	1200	6,5	-26	-23	2,4	0,8	BC1200	20.015	BC1200M	21.635
	1400	8	-28	-25	3	1	BC1400	20.015	BC1400M	21.635

800-1400 kg/24h without cabinet										
	800	4,5	-21	-18	1,7	0,6	BC800Y	18.790	BC800MY	20.445
	1000	5,5	-23	-20	2	0,6	BC1000Y	18.790	BC1000MY	20.445
	1200	6,5	-26	-23	2,4	0,8	BC1200Y	18.790	BC1200MY	20.445
	1400	8	-28	-25	3	1	BC1400Y	18.790	BC1400MY	20.445

BUUS SALT-MIXER						BUUS Stainless pre-cooler.				
<p>To be used where the water is of low Calcium content.</p> <p>Typically surfacewater, meltingwater and other distilled water.</p>						<p>To be used when the water temp. exceeds +15°C.</p>				
										
Salt-01		Salt-02								
Type SALT-01 for dosing to more iceflakers		Salt-01				2.335	TYPE	PRICE EURO		
Type SALT-02 for dosing to one iceflaker		Salt-02				2.335	PRE-01	2.915		

BUUS Switchboard for iceflakers				BUUS Switchboard for units			
<p>Contains alle functions for accurate control of BUUS iceflakers.</p> <p>Is delivered with one 'out' for condensing units and central cooling plants.</p>				<p>BUUS Køleteknik A/S can deliver complete switchboards for units.</p> <p>Contact us for further details.</p>			
In stainless steel cabinet		Type BUUS Control RF					
In plastic cabinet		Type BUUS Control PL					

When the ice is produced of saltwater the evaporation temp. must always be minimum -27°C.

Conditions:

Ambient temp. +2°C to +36°C., Water temp. +5°C to +15°C.

Ice thickness 1,1 to 1,3 mm, Ice temp. -2°C to -5°C.

Prices are Ex. Works, excl. V.A.T., packing and insurance.

Iceflaker:

Solenoidvalve for water/refrigerant.

Gearmotor for isdrum.

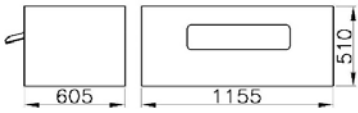
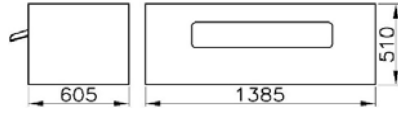
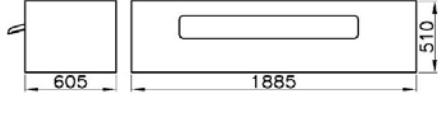
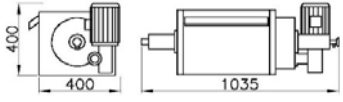
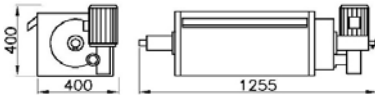
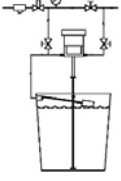
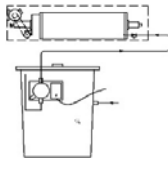
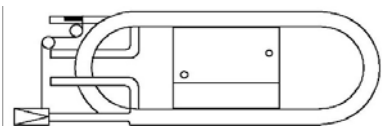
Expansion valve for refrigerant.



PRICELIST FOR BUUS BRINE ICEFLAKERS

Without condensing unit and switchboard.

Date **01.01.25.**

1000-3000 kg/24h with cabinet	Ice-prod. kg / 24h	Capacity kw T1°C T2°C		Flow m3/h	DP Bar	Price land-version Type EURO		Price marine-version Type EURO			
		1000 1500 2000 2500 3000	5,5 8,5 11,5 14,5 18	-15 -16 -17 -19 -22 -25	4 4 6 8 10	0,6 0,6 0,8 1 1,2	BD1000 BD1500 BD2000 BD2500 BD3000	26.540 26.540 26.540 26.540 26.540	BD1000M BD1500M BD2000M BD2500M BD3000M	28.410 28.410 28.410 28.410 28.410	
3000-4500 kg/24h with cabinet 	3000 4000 4500	17,5 22,5 26,5	-19 -23 -26	9 9 11	1,2 1,2 1,4	BE3000 BE4000 BE4500	33.225 33.225 33.225	BE3000M BE4000M BE4500M	35.260 35.260 35.260		
5000-10000 kg/24h with cabinet 	5000 6000 7000 8000 10000*	29 35 40,5 46,5	-21 -24 -27 -29	11 11 11 11	1,5 1,5 1,5 1,5	BF5000 BF6000 BF7000 BF8000 *On enquiry	47.700 47.700 47.700 47.700	BF5000M BF6000M BF7000M BF8000M *On enquiry	50.055 50.055 50.055 50.055		
1000-3000 kg/24h without cabinet 	1000 1500 2000 2500	5,5 8,5 11,5 14,5	-15 -16 -19 -21	4 4 6 8	0,6 0,6 0,8 1	BD1000Y BD1500Y BD2000Y BD2500Y	24.895 24.895 24.895 24.895	BD1000MY BD1500MY BD2000MY BD2500MY	26.780 26.780 26.780 26.780		
3000-4500 kg/24t without cabinet 	3000 4000 4500	17,5 22,5 26,5	-19 -23 -26	9 9 11	1,2 1,2 1,4	BE3000Y BE4000Y BE4500Y	31.255 31.255 31.255	BE3000MY BE4000MY BE4500MY	33.290 33.290 33.290		
BUUS Saltmixer To be used where the water for the production for eksempel is surfacewater, rainwater or non mineralizes water.						 		BUUS Stainless water precooler To be used in case the water temp. exceeds +15°C. Is delivered as an intergral part of the iceflaker.			
Type SALT-01 for dosing to more iceflakers Type SALT-02 for dosing to one iceflaker						SALT-01 2.335 SALT-02 2.335		 Type PRE-BF			
BUUS Switchboard for iceflakers Contains alle functions for accurate control of BUUS iceflakers. Is delivered with one 'out' for condensing units and central cooling plants. In stainless steel cabinet Type BUUS Control RF In plastic cabinet Type BUUS Control PL						BUUS Switchboard for units BUUS Kølleteknik A/S can deliver complete switchboards for units. Contact us for further details.					

Conditions:

Ambient temp. +2°C to +36°C., water temp. +5°C to +15°C.

Ice-thickness 1,1 to 1,3 mm, icetemp. -2°C to -5°C.

The prices are ex works, excl. V.A.T., packing and insurance.

Iceflaker:

Solenoidvalve for water

Gearmotor for icedrum

Page 22



Pricelist of BUUS Selfcontained Iceflaker unit.

Date 01.01.2025.

TEMPERED AREAS

PROD.	Ambient +27°C		Water temp.+15°C	
	KAPACITY kg/24h.	Aircooled Land Freshwater ice	Seawatercooled Marine Freshwater ice	Seawatercooled Marine Saltwater ice
200	TYPE	SM200UL	SM200MUSW	SM200MUSWN
	EURO	15.325	19.870	19.880
350	TYPE	SM350UL	SM350MUSW	SM350MUSWN
	EURO	17.685	21.755	23.520
550	TYPE	SM550UL	SM550MUSW	SM550MUSWN
	EURO	21.040	23.940	25.555

TROPICAL AREAS

PROD.	Ambient +36°C		Water temp. +28°C	
	KAPACITY kg/24h.	Aircooled Land Freshwater ice	Seawatercooled Marine Freshwater ice	Seawatercooled Marine Saltwater ice
200	TYPE	SM200ULT	SM200MUSWT	SM200MUSWTN
	EURO	16.770	20.675	20.675
350	TYPE	SM350ULT	SM350MUSWT	SM350MUSWTN
	EURO	19.665	22.590	24.355
500	TYPE	SM500ULT		
	EURO	23.320		
550	TYPE		SM550MUSWT	SM550MUSWTN
	EURO		24.870	26.335

Consists of Compressor, cabinet and , 3x400v 50Hz switchboard and automatics.
 Landversion: Semihermetic/Open compressors
 Marineversion: Open/Semihermetic compressors
 All prices are EURO, ex Works,excl. Vat, packing and insurance.
 Refrigerant: HFC/HCFC

BUUS Køleteknik A/S
 Refrigeration
 tlf +45 9774 4033
 fax +45 9774 4037
 e-mail buus@buus.dk
 homepage www.buus.dk

Pricelist of BUUS Selfcontained Iceflaker unit.

Date 01.01.2025.

TEMPERED AREAS

PROD.	Ambient +27°C		Water temp. +15°C	
	KAPACITY kg/24h.	Aircooled Land Freshwater ice	Seawatercooled Marine Freshwater ice	Seawatercooled Marine Saltwater ice
800	TYPE	SC800UL	SC800MUSW	SC800MUSWN
	EURO	30.930	32.255	32.700
1000	TYPE	SC1000UL	SC1000MUSW	SC1000MUSWN
	EURO	31.740	32.875	32.955
1200	TYPE	SC1200UL	SC1200MUSW	SC1200MUSWN
	EURO	32.025	32.915	33.925
1400	TYPE	SC1400UL	SC1400MUSW	SC1400MUSWN
	EURO	33.830	34.610	34.610
1700	TYPE	SC1700UL	SC1700MUSW	SC1700MUSWN
	EURO	38.090	40.165	40.165
2000	TYPE	SC2000UL	SC2000MUSW	SC2000MUSWN
	EURO	40.620	41.995	41.995

TROPICAL AREAS

PROD.	Ambient +36°C		Water temp. +28°C	
	KAPACITY kg/24h.	Aircooled Land Freshwater ice	Seawatercooled Marine Freshwater ice	Seawatercooled Marine Saltwater ice
800	TYPE	SC800ULT	SC800MUSWT	SC800MUSWTN
	EURO	31.945	33.010	33.385
1000	TYPE	SC1000ULT	SC1000MUSWT	SC1000MUSWTN
	EURO	33.265	32.740	35.220
1200	TYPE	SC1200ULT	SC1200MUSWT	SC1200MUSWTN
	EURO	37.145	36.485	37.025
1400	TYPE	SC1400ULT	SC1400MUSWT	SC1400MUSWTN
	EURO	38.670	39.505	39.505
1700	TYPE	SC1700ULT	SC1700MUSWT	SC1700MUSWTN
	EURO	42.740	40.825	40.825
2000	TYPE	SC2000ULT	SC2000MUSWT	SC2000MUSWTN
	EURO	44.330	43.720	43.720

Consists of Compressor, cabinet and , 3x400v 50Hz switchboard and automatics.
 Landversion: Semihermetic/Open compressors
 Marineversion: Open/Semihermetic compressors
 All prices are EURO, ex Works, excl. Vat, packing and insurance.
 Refrigerant: HFC/HCFC

BUUS Kølleteknik A/S
 Refrigeration
 tlf +45 9774 4033
 fax +45 9774 4037
 e-mail buus@buus.dk
 homepage www.buus.dk

Pricelist of BUUS Selfcontained Iceflaker unit.

Date 01.01.2025.

TEMPERED AREAS

PROD.	Ambient +27°C		Water temp. +15°C	
	CAPACITY kg/24h.	Aircooled Land Freshwater ice	Seawatercooled Marine Freshwater ice	Seawatercooled Marine Saltwater ice
1000	TYPE EURO	SD1000UL 37.630	SD1000MUSW 38.640	SD1000MUSWN 40.475
1500	TYPE EURO	SD1500UL 39.815	SD1500MUSW 40.395	SD1500MUSWN 42.160
2000	TYPE EURO	SD2000UL 45.110	SD2000MUSW 45.690	SD2000MUSWN 47.185
2500	TYPE EURO	SD2500UL 48.495	SD2500MUSW 51.335	SD2500MUSWN 52.750
3000	TYPE EURO	SE3000UL 55.810	SE3000MUSW 54.840	SE3000MUSWN 57.415
4000	TYPE EURO	SE4000UL 61.135	SE4000MUSW 58.870	SE4000MUSWN 61.080
4500	TYPE EURO	SE4500UL 63.265	SE4500MUSW 61.715	SE4500MUSWN 64.290
5000	TYPE EURO	SF5000UL 73.185	SF5000MUSW 73.855	SF5000MUSWN 76.365
6000	TYPE EURO	SF6000UL 79.410	SF6000MUSW 77.750	SF6000MUSWN 80.610
7000	TYPE EURO	SF7000UL 84.235	SF7000MUSW 80.850	SF7000MUSWN 85.285
8000	TYPE EURO	SF8000UL 90.985	SF8000MUSW 86.510	SF8000MUSWN 90.985

TROPICAL AREAS

PROD.	Ambient +36°C		Water temp. +28°C	
	CAPACITY kg/24h.	Aircooled Land Freshwater ice	Seawatercooled Marine Freshwater ice	Seawatercooled Marine Saltwater ice
1000	TYPE EURO	SD1000ULT 40.030	SD1000MUSWT 40.095	SD1000MUSWTN 40.705
1500	TYPE EURO	SD1500ULT 41.175	SD1500MUSWT 41.110	SD1500MUSWTN 43.750
2000	TYPE EURO	SD2000ULT 46.525	SD2000MUSWT 47.645	SD2000MUSWTN 48.410
2500	TYPE EURO	SD2500ULT 54.840	SD2500MUSWT 54.100	SD2500MUSWTN 57.470
3000	TYPE EURO	SE3000ULT 58.195	SE3000MUSWT 55.730	SE3000MUSWTN 60.825
4000	TYPE EURO	SE4000ULT 62.725	SE4000MUSWT 63.235	SE4000MUSWTN 65.810
4500	TYPE EURO	SE4500ULT 69.075	SE4500MUSWT 68.750	SE4500MUSWTN 69.125
5000	TYPE EURO	SF5000ULT 77.535	SF5000MUSWT 73.885	SF5000MUSWTN 79.650
6000	TYPE EURO	SF6000ULT 84.870	SF6000MUSWT 83.010	SF6000MUSWTN 89.355
7000	TYPE EURO	SF7000ULT 94.340	SF7000MUSWT 86.905	SF7000MUSWTN 92.400
8000	TYPE EURO	SF8000ULT 105.230	SF8000MUSWT 99.910	SF8000MUSWTN 103.640

Consists of Compressor, cabinet and stainlesssteel frame, 3x400v 50Hz switchboard and automatics
 Landversion: Semihermetic/Open compressors
 Marineversion: Open/Semihermetic compressors
 All prices are EURO, ex Works, excl. Vat, packing and insurance.
 Refrigerant: HFC/HCFC

BUUS Kølleteknik A/S
 Refrigeration
 tlf +45 9774 4033
 fax +45 9774 4037
 e-mail buus@buus.dk
 homepage www.buus.dk

Pricelist of BUUS Split Iceflaker units.

Date 01.01.2025.

TEMPERED AREAS

PROD.	Ambient +27°C		Water temp. +15°C	
	CAPACITY kg/24h.	Aircooled Land Freshwater ice	Seawatercooled Marine Freshwater ice	Seawatercooled Marine Saltwater ice
1000	TYPE	SD1000ULS	SD1000MUSWS	SD1000MUSWSN
	EURO	36.540	37.525	39.300
1500	TYPE	SD1500ULS	SD1500MUSWS	SD1500MUSWSN
	EURO	38.655	39.220	40.930
2000	TYPE	SD2000ULS	SD2000MUSWS	SD2000MUSWSN
	EURO	43.805	44.370	45.825
2500	TYPE	SD2500ULS	SD2500MUSWS	SD2500MUSWSN
	EURO	47.090	49.855	51.215
3000	TYPE	SE3000ULS	SE3000MUSWS	SE3000MUSWSN
	EURO	54.195	53.250	55.745
4000	TYPE	SE4000ULS	SE4000MUSWS	SE4000MUSWSN
	EURO	59.355	57.160	59.300
4500	TYPE	SE4500ULS	SE4500MUSWS	SE4500MUSWSN
	EURO	61.430	59.920	62.430
5000	TYPE	SF5000ULS	SF5000MUSWS	SF5000MUSWSN
	EURO	71.055	71.715	74.140
6000	TYPE	SF6000ULS	SF6000MUSWS	SF6000MUSWSN
	EURO	77.105	75.490	78.265
7000	TYPE	SF7000ULS	SF7000MUSWS	SF7000MUSWSN
	EURO	81.780	78.505	82.805
8000	TYPE	SF8000ULS	SF8000MUSWS	SF8000MUSWSN
	EURO	88.345	84.005	88.345

TROPICAL AREAS

PROD.	Ambient +36°C		Water temp. +28°C	
	CAPACITY kg/24h.	Aircooled Land Freshwater ice	Seawatercooled Marine Freshwater ice	Seawatercooled Marine Saltwater ice
1000	TYPE	SD1000ULTS	SD1000MUSWTS	SD1000MUSWTSN
	EURO	38.870	38.940	39.530
1500	TYPE	SD1500ULTS	SD1500MUSWTS	SD1500MUSWTSN
	EURO	39.990	0	42.480
2000	TYPE	SD2000ULTS	SD2000MUSWTS	SD2000MUSWTSN
	EURO	45.180	46.270	47.010
2500	TYPE	SD2500ULTS	SD2500MUSWTS	SD2500MUSWTSN
	EURO	53.250	52.535	55.800
3000	TYPE	SE3000ULTS	SE3000MUSWTS	SE3000MUSWTSN
	EURO	56.510	54.115	59.060
4000	TYPE	SE4000ULTS	SE4000MUSWTS	SE4000MUSWTSN
	EURO	60.905	61.405	63.895
4500	TYPE	SE4500ULTS	SE4500MUSWTS	SE4500MUSWTSN
	EURO	67.065	66.755	67.120
5000	TYPE	SF5000ULTS	SF5000MUSWTS	SF5000MUSWTSN
	EURO	75.285	71.740	77.335
6000	TYPE	SF6000ULTS	SF6000MUSWTS	SF6000MUSWTSN
	EURO	82.400	80.595	86.755
7000	TYPE	SF7000ULTS	SF7000MUSWTS	SF7000MUSWTSN
	EURO	91.605	84.385	89.720
8000	TYPE	SF8000ULTS	SF8000MUSWTS	SF8000MUSWTSN
	EURO	102.170	97.010	100.635

Consists of Compressor, cabinet, stainlesssteel frame, 3x400v 50Hz switchboard and automatics.

Landversion: Semihermetic/Open compressors

Marineversion: Open/Semihermetic compressors

All prices are EURO, ex Works Vat, CU-piping, packing and insurance.

Refrigerant: HFC / HCFC

BUUS Køleteknik A/S

Refrigeration

tlf +45 9774 4033

fax +45 9774 4037

e-mail buus@buus.dk

homepage www.buus.dk

Pricelist of BUUS Selfcontained Iceflaker unit.

Date 01.01.2025.

TEMPERED AREAS

PROD.	Ambient +27°C		Water temp. +15°C	
	CAPACITY kg/24h.	Aircooled Land Freshwater ice	Seawatercooled Marine Freshwater ice	Seawatercooled Marine Saltwater ice
10000	TYPE EURO	SF10000UL 118.330	SF10000MUSW 114.340	SF10000MUSWN 114.340
15000	TYPE EURO	SF15000UL 173.145		
20000	TYPE EURO	SF20000UL 186.095		
24000	TYPE EURO	SF24000UL 231.430		
32000	TYPE EURO	SF32000UL 298.210		

TROPICAL AREAS

PROD.	Ambient +36°C		Water temp. +28°C	
	CAPACITY kg/24h.	Aircooled Land Freshwater ice	Seawatercooled Marine Freshwater ice	Seawatercooled Marine Saltwater ice
10000	TYPE EURO	SF10000ULT 137.265	SF10000MUSWT 128.790	SF10000MUSWTN 128.790
15000	TYPE EURO	SF15000ULT 199.045		
20000	TYPE EURO	SF20000ULT 229.935		
24000	TYPE EURO	SF24000ULT 292.710		
32000	TYPE EURO	SF32000ULT 340.000		

Consists of Compressor, cabinet and stainlesssteel frame, 3x400v 50Hz switchboard and automatics.
 Landversion: Semihhermetic/Open compressors
 Marineversion: Open/Semihhermetic compressors
 All prices are EURO, ex Works,excl. Vat, packing and insurance.
 Refrigerant: HFC/HCFC

BUUS Kølleteknik A/S
 Refrigeration
 tlf +45 9774 4033
 fax +45 9774 4037
 e-mail buus@buus.dk
 homepage www.buus.dk

Pricelist of BUUS CO2 Split Iceflaker units.

Date 01.01.2025.

TEMPERED AREAS

PROD.	Ambient +27°C		Water temp.+15°C	
	CAPACITY kg/24h.	Aircooled Land Freshwater ice	Seawatercooled Marine Freshwater ice	Seawatercooled Marine Saltwater ice
	TYPE			
	EURO	0	0	0
	TYPE			
	EURO		0	0
	TYPE			
	EURO	0	0	0
2800	TYPE	CD2800ULS		
	EURO	73.720	0	0
	TYPE			
	EURO	0	0	0
	TYPE			
	EURO	0	0	0
4000	TYPE	CD4000ULS		
	EURO	108.670	0	0
5000	TYPE	CE5000ULS		
	EURO	117.495	0	0
6000	TYPE	CE6000ULS		
	EURO	131.460	0	0
8000	TYPE	CF8000ULS		
	EURO	138.185	0	0
10000	TYPE	CF10000ULS		
	EURO	145.125	0	0

P
R
I
C
E
S

A
F
T
E
R

A
G
R
E
E
M
E
N
T

TROPICAL AREAS

PROD.	Ambient +36°C		Water temp. +28°C	
	CAPACITY kg/24h.	Aircooled Land Freshwater ice	Seawatercooled Marine Freshwater ice	Seawatercooled Marine Saltwater ice
	TYPE			
	EURO	0	0	0
	TYPE			
	EURO	0	0	0
	TYPE			
	EURO	0	0	0
	TYPE			
	EURO	0	0	0
	TYPE			
	EURO	0	0	0
	TYPE			
	EURO	0	0	0
	TYPE			
	EURO	0	0	0
	TYPE			
	EURO	0	0	0
	TYPE			
	EURO	0	0	0

P
R
I
C
E
S

A
F
T
E
R

A
G
R
E
E
M
E
N
T

Consists of Compressor, cabinet and stainlesssteel frame, 3x400v 50Hz switchboard and automatics.
 Landversion: Semihermetic/Open compressors
 Marineversion: Open/Semihermetic compressors
 All prices are EURO, ex Works,excl. Vat, packing and insurance.
 Refrigerant : R744. CO2

BUUS Køleteknik A/S
 Refrigeration
 tlf +45 9774 4033
 fax +45 9774 4037
 e-mail buus@buus.dk
 homepage www.buus.dk